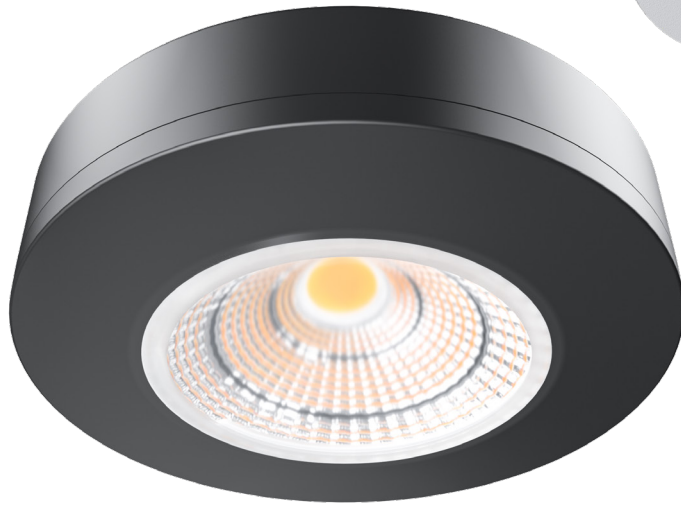


**A**

**LED**

# DOWNLIGHT CATALOGUE



Since 2013, A LED A/S has developed and produced our own energy-friendly built-in downlights of the highest quality.

The EVO10 is one of the first models we put into production, and it is still among our most popular downlights.

Today, we have one of Denmark's widest selection of built-in downlights, all designed and developed by ourselves in close collaboration with our customers. All our downlights are therefore also developed for easy installation.

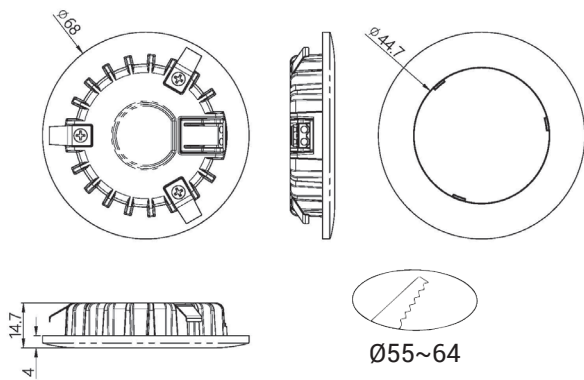
EVO10 NATURE  
GU10 DOWNLIGHT

**5-YEAR WARRANTY**  
**10-YEAR CORROSION GUARANTEE\***  
**10-YEAR SPARE PARTS WARRANTY**

*\*Applies to all painted outdoor products*







With attachment ring



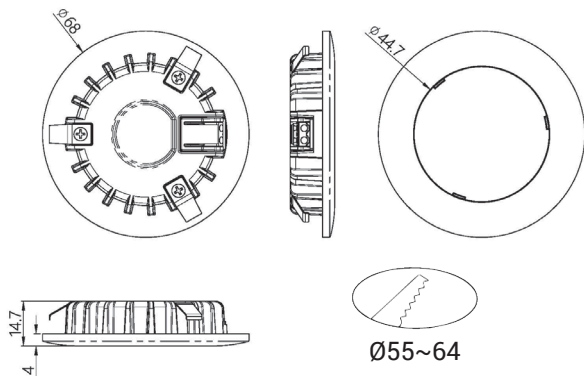
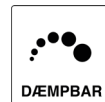
Back side of downlight



## EVO 1 -12V DC

Voltage	12V DC
Wattage	2,8W
Kelvin	2700K/3000K
MacAdams SDCM	<3
L90/B10	>100.000 ved 25 °C
Beam angle	60°
Outdoor	No
Class	Class II SELV, IP44
Colors	White, brushed, black

**Now in a 12V version.** EVO 1 is a small, compact downlight that fits most shelves, upper cabinets or wardrobes. Supplied with Wago clamps for quick assembly when reusing existing wiring harnesses.



With attachment ring



Back side of downlight

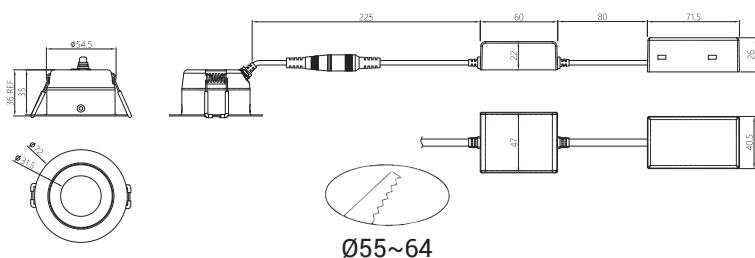


## EVO 1 -12V AC

Voltage	12V AC
Wattage	2,8W
Kelvin	2700/3000K
MacAdams SDCM	<3
L90/B10	>100.000 ved 25 °C
Beam angle	60°
Outdoor	No
Class	Class II SELV, IP44
Colors	White

**Now in a 12V AC version.** EVO 1 is a small, compact downlight that fits most shelves, upper cabinets or wardrobes. Supplied with Wago clamps for quick assembly when reusing existing wiring harnesses. This downlight is not dimmable and must only be used with an AC transformer.

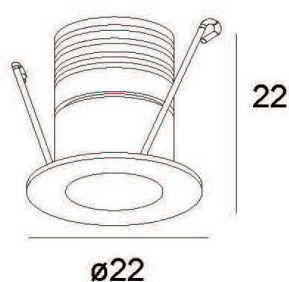




## EVO 3 gen 2

<b>Voltage</b>	AC 220V-240V
<b>Wattage</b>	4,5W
<b>Kelvin</b>	2700K/3000K
<b>MacAdams SDCM *1</b>	<2
<b>L90/B10</b>	>100.000 ved 25 °C
<b>Beam angle</b>	60°
<b>Outdoor</b>	Yes
<b>Class</b>	Class II SELV, IP44
<b>Colors</b>	white, black

Improved version of our popular downlight with a height of only 35mm and a cut-out dimension of 55mm. EVO3 is perfect for installation in strip ceilings or profiled boards, or where the downlight should not get noticed.



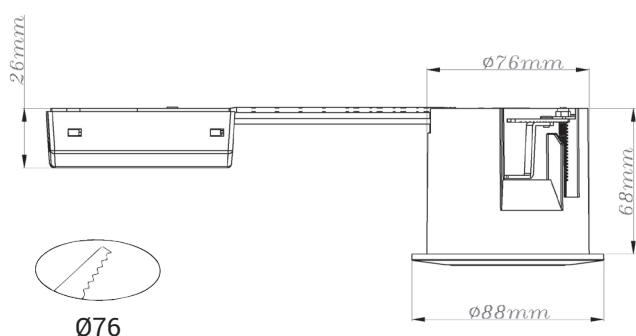
## EVO Mini

<b>Voltage</b>	DC 700mA, max. 3V
<b>Wattage</b>	2 Watt
<b>Kelvin</b>	3000K
<b>MacAdams SDCM</b>	3
<b>L80/B10</b>	100.000 ved 25 °C
<b>Beam angle</b>	45°
<b>Outdoor</b>	Yes
<b>Class</b>	Class II, IP44
<b>Colors</b>	white, brass, black

Our exclusive EVO MINI has a recessed light source that provides a glare-free and discreet light. Available in white, black or brass. Dimmable with dimmable mA driver. EVO MINI must be mounted via serial connection from 3 to 16 light sources. Driver can be delivered with DALI / Push, on/off or Casambi.



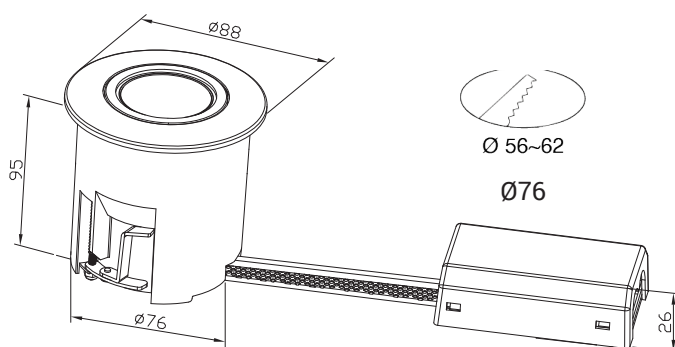




## EVO 10 Nature

<b>Voltage</b>	AC 220V-240V
<b>Wattage</b>	Max 7W LED
<b>Class</b>	Class II, IP44
<b>Outdoor</b>	Yes
<b>Colors</b>	white, brushed, black

The EVO10 Nature has an installation height of 68 mm. and is installed easily and safely with a screw spring. The packaging is made from recyclable paper, and we have also removed 57% of the packaging. Supplied in reusable cardboard boxes of 20. or by order.

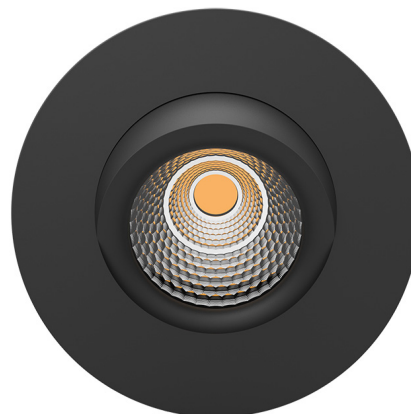
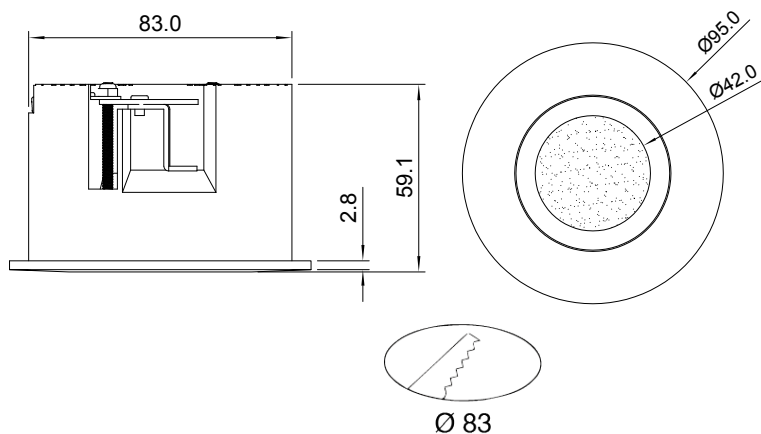


## EVO 10 Nature 95mm

<b>Voltage</b>	AC 220V-240V
<b>Outdoor</b>	Yes
<b>Class</b>	Class II, IP44
<b>Colors</b>	White, brushed, black

EVO10 with 95mm installation height and screw spring for mounting, which makes the downlight particularly suitable for plaster and troltekt, rockfon and other types of acoustic ceilings, where the vapor barrier is behind a layer of plaster and rockfon.

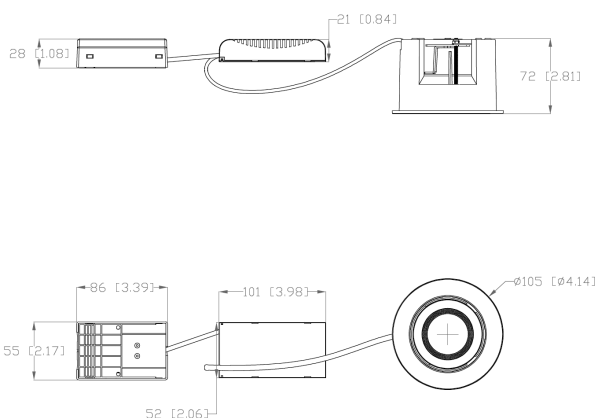




## EVO 11

<b>Voltage</b>	AC 220V-240V
<b>Wattage</b>	5W/7W/10W
<b>Kelvin</b>	3000K
<b>MacAdams SDCM</b>	<3
<b>L90/B10</b>	>100.000 ved 25 °C
<b>Beam angle</b>	45°
<b>Outdoor</b>	Yes
<b>Class</b>	Class II SELV, IP44
<b>Color</b>	White, brushed, black

EVO11 has a 360° tilt. The light source is retracted into the reflector, which results in a very low glare. The downlight is dimmable and can be set in the driver to either 5, 6, 8 or 10 watts via dip switches.



## EVO 12 gen 2

<b>Voltage</b>	AC 220V-240V
<b>Wattage</b>	50Hz-60 Hz
<b>Kelvin</b>	> 0.9
<b>MacAdams SDCM *1</b>	<2
<b>L90/B10</b>	>100.000 ved 25 °C
<b>Beam angle</b>	45°
<b>Outdoors</b>	Yes
<b>Class</b>	Class II SELV, IP44
<b>Colors</b>	White, brushed, black

As a special feature the EVO12 has a 45° tilting function and is therefore perfect for tilted ceilings where you still want the light directed downwards, or if you want more indirect light in a room where the walls should be illuminated.





# WE WANT TO BE YOUR MOST SUSTAINABLE LIGHTING SUPPLIER

Read more in our CSR report, which you can find at [www.aled.dk](http://www.aled.dk)

At A LED we are highly aware of our environmental responsibility, and we continuously work to improve ourselves, so our CO2 footprint is kept as low as possible.

In addition to selling energy-saving products, we also work to minimize packaging and residual waste and ensure that the packaging is made from recyclable material without plastic and other environmentally harmful substances.

In short, we are constantly working to make our solutions increasingly sustainable - without compromising on quality, delivery time and service level.

Read more in our CSR report, which you can find at [www.aled.dk](http://www.aled.dk)

Our products significantly reduce electricity consumption in the world

The long lifespan combats the use-and-throw-away culture

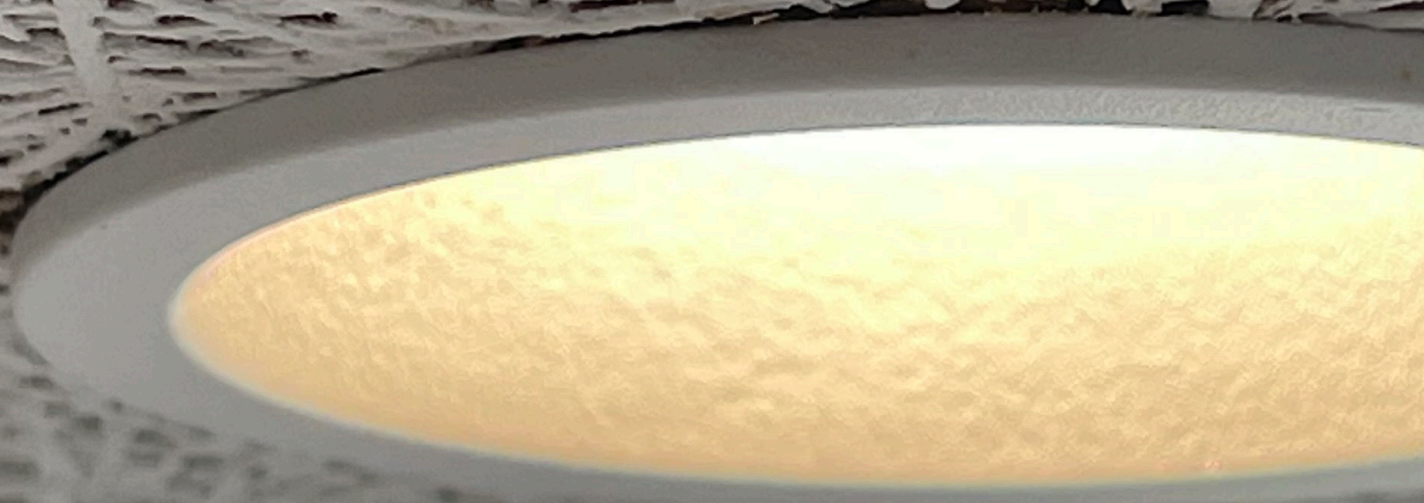
We strive to use environmentally friendly packaging in more and more products

Our NATURE box saves you 57% of the packaging and contains no plastic or environmentally harmful substances

Less packaging gives you more time and saves you CO2 from the trips to the recycling site

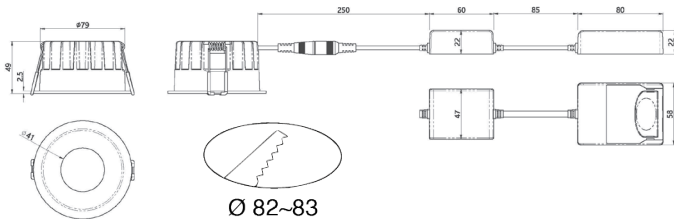
**A**  
**LED**

ALL COLORS ARE SHOWN  
TRUE-TO-COLOR



LED





## EVO D

<b>Voltage</b>	AC 220V-240V
<b>Wattage</b>	7W
<b>Kelvin</b>	3000K/Sunfall
<b>MacAdams SDCM *1</b>	<2
<b>L90/B10</b>	>100.000 ved 25 °C
<b>Class</b>	Class II SELV, IP44
<b>Colors</b>	White, black
<b>Outdoor</b>	Yes

Minimalistic design, quick assembly, easy and safe installation, superb light quality combined with glare-free light makes this downlight a safe choice. Can also be supplied with Sunfall, where the light becomes warmer when dimmed.

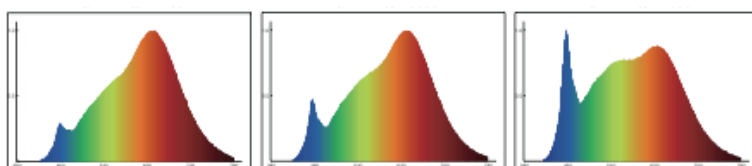


## EVO S FULL SPECTRUM



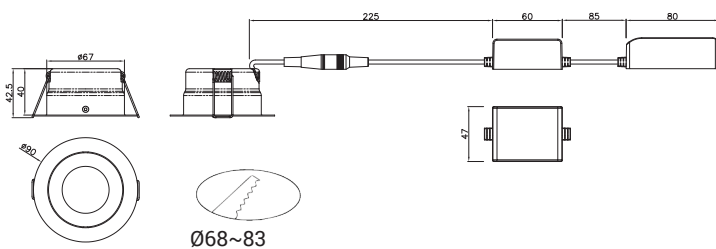
Until now, LED lighting has had difficulty reproducing the color red. Although the CRI or RA value has been good on many products for several years, there has been no guarantee that the red color R9 was good. RA and CRI have only measured 8 and 15 colors respectively, including R1 to R8, which are the pastel colors that are easiest to reproduce for the LED diode.

The EVO S Full Spectrum TM30 measures in 99 colors and has true-to-color light - also on the red color R9, which makes the EVO S completely unique on the market.



<b>Voltage</b>	AC 220V-240V
<b>Wattage</b>	6W
<b>Kelvin</b>	2700K/3000K
<b>MacAdams SDCM</b>	<3
<b>L90/B10</b>	>100.000 ved 25 °C
<b>Beam angle</b>	60°
<b>Outdoor</b>	Yes
<b>Class</b>	Class II SELV, IP44
<b>Colors</b>	White, brushed, black

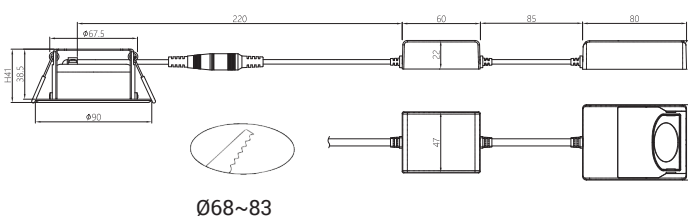
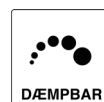




## EVO E

<b>Voltage</b>	AC 220V-240V
<b>Wattage</b>	6W
<b>Kelvin</b>	2700K/3000K/Sunfall
<b>MacAdams SDCM *1</b>	<2
<b>L90/B10</b>	>100.000 ved 25 °C
<b>Beam angle</b>	60°
<b>Outdoor</b>	Yes
<b>Class</b>	Class II SELV, IP44
<b>Colors</b>	White, black

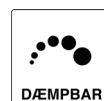
EVO E is suitable for most solutions, and thanks to the screwless terminal block, quick assembly is ensured. EVO E has a unique dimming technology that fits most dimmers on the market. Flicker-free lighting in a unique design.



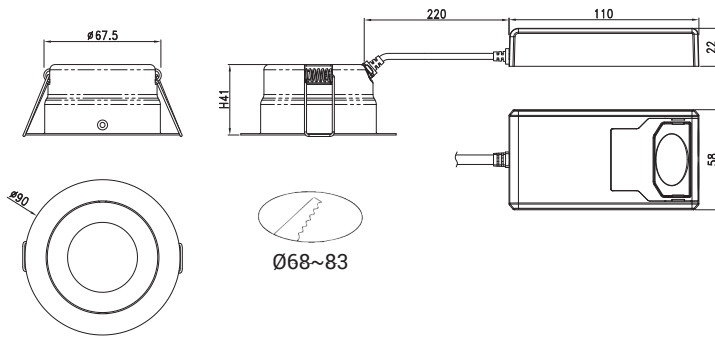
## EVO E Fixed

<b>Voltage</b>	AC 220V-240V
<b>Wattage</b>	6W
<b>Kelvin</b>	2700K/3000K/Sunfall
<b>MacAdams SDCM *1</b>	<2
<b>L90/B10</b>	>100.000 ved 25 °C
<b>Beam angle</b>	60°
<b>Outdoor</b>	Yes
<b>Class</b>	Class II SELV, IP44
<b>Color</b>	White, brushed, black

The EVO E Fixed Downlight offers quick and tool-free assembly with a screw-free terminal block. EVO E Fixed has a unique dimming technology that fits most dimmers on the market. Flicker-free lighting and an RA value of 97 gives the EVO E Fixed a sublime light quality.



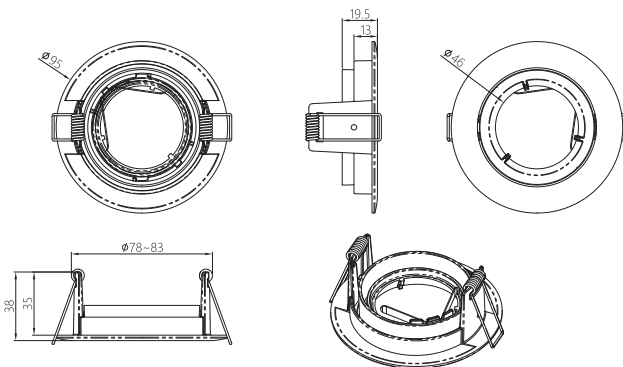




## EVO E Smart

<b>Voltage</b>	AC 220V-240V
<b>Wattage</b>	6W
<b>Kelvin</b>	2700K/3000K/Sunfall
<b>MacAdams SDCM *1</b>	<2
<b>L90/B10</b>	>100.000 ved 25 °C
<b>Beam angle</b>	60°
<b>Outdoor</b>	Yes
<b>Class</b>	Class II SELV, IP44
<b>Color</b>	White, black

Whenever you prefer an intelligent solution via ZigBee v. 3.0. for your project, we recommend our EVO E SMART downlight. EVO E SMART works perfectly with, for example, the Philips Hue app, Google Home or Alexa. Combine EVO E SMART with our wireless dimmers for the perfect intelligent solution.



## EVO GU10

<b>Voltage</b>	AC 220V-240V
----------------	--------------

The EVO GU10 is the perfect downlight for mounting the traditional GU10 light source. The EVO GU10 is mounted quickly with springs and is supplied with a 5-pin connector box.

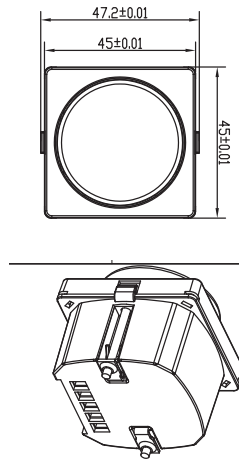
The GU10 light source is installed and replaced easily from the front.



# DIMMER

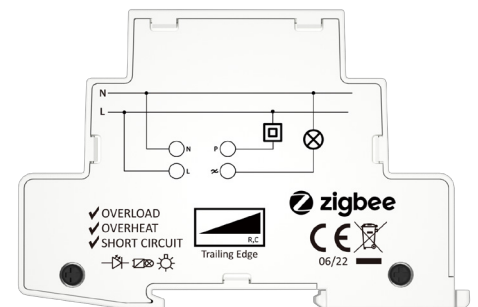
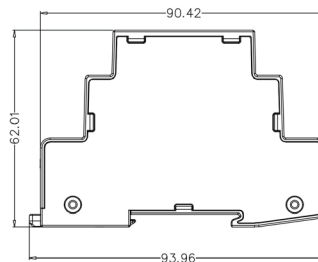
## EasyDimmer 200

New rotary dimmer that fits the FUGA® 1 module switch system. 3 – 200VA load with manual settings of min. and maximum level which is remembered and with the possibility of correspondence management. Supplied with cover in both white, gray and black.



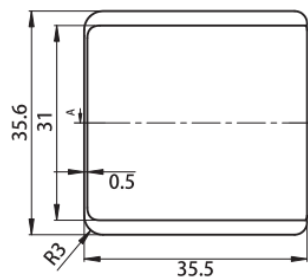
## EasyDimmer ZIGBEE DIN2

Our new single-module ZIGBEE dimmer for mounting in a DIN rail can dim your light sources 5-250W via ZIGBEE. It gives you both the option of mounting a spring pressure for PUSH, or dimming the light via Philips HUE, Apple HomeKit, Google Assistant or Alexa.



## EasyDimmer 500

Electronic dimmer for built-in 5 – 500VA load with manual setting to minimum and maximum level, which is remembered. Possibility of correspondence management.



DO YOU NEED HELP FOR  
YOUR NEXT PROJECT?



# ACCESSORIES

## Sealing ring

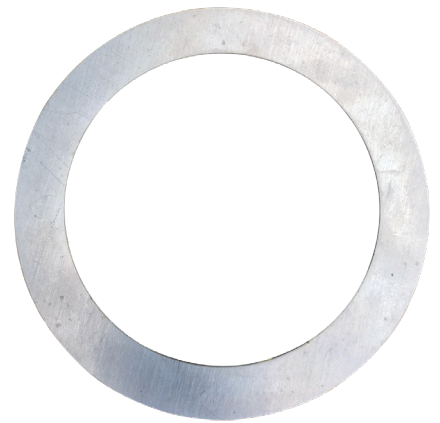
Designed for sealing between vapor barrier and the A LED EVO10 downlight with built-in back box. This sealing ring provides 100% sealing of the downlight and vapor barrier.

The sealing ring is suitable for new builds with a blow test, as you get maximum sealing around the back box.



## EVO 10 Expansion ring

Enlargement ring for hole size 77-125mm which can be used when our EVO 10 is to be mounted in an existing hole + 76mm.



## EVO D/E Expansion ring

Expansion ring used for EVO E and EVO D when these are to be installed in existing holes up to hole size 115 mm. The front of the downlight fits perfectly in the lowered part of the extension ring.



CONTACT US HERE  
+45 71 99 53 54 / [info@aled.dk](mailto:info@aled.dk)

# WE ARE AWARE OF OUR RESPONSIBILITY

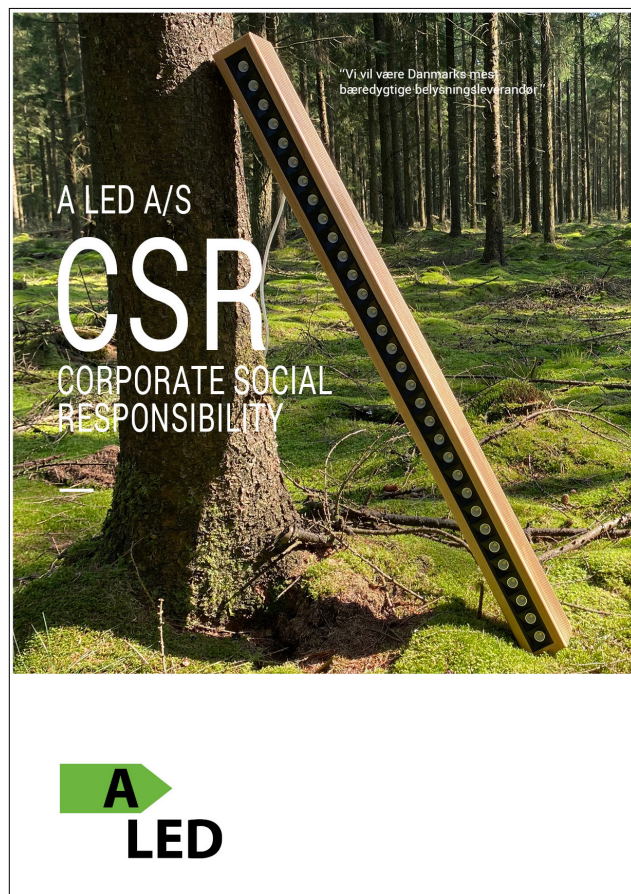
## CSR CORPORATE SOCIAL RESPONSIBILITY

At A LED, we are aware of our social and environmental responsibility in the world. That is why we have chosen to work with the UN's global goals in our daily lives and commit ourselves to make a difference wherever we have the opportunity.

Our goal is to be your most sustainable lighting supplier.

READ MORE ABOUT OUR  
NATURE BOX  
PACKAGING IN THE CSR  
REPORT

THE NATURE BOX IS A  
CHOICE WE ARE VERY  
PROUD OF



read the full CSR report at [www.aled.dk](http://www.aled.dk)

DO YOU NEED HELP FOR  
YOUR NEXT PROJECT?

# CONTACT

Kim Nørskov  
Owner & Partner  
Phone: +45 71 99 53 54  
[info@aled.dk](mailto:info@aled.dk)

Christian Skou Christensen  
Owner & Partner  
Phone: +45 20 11 00 90  
[cc@aled.dk](mailto:cc@aled.dk)

Lisa Durst  
Supply Chain & Logistik Manager  
Tlf: +45 42 41 77 56  
[lisa@aled.dk](mailto:lisa@aled.dk)

Per Leegaard  
Chief Project manager  
Tlf: +45 25 57 00 90  
[pl@aled.dk](mailto:pl@aled.dk)

Bolette Rathje Pedersen  
Lighting consultant  
/Project manager  
Tlf: +45 53 53 46 42  
[bolette@aled.dk](mailto:bolette@aled.dk)

Mads Emborg  
Lighting consultant  
/Project manager  
Tlf: +45 22 46 28 42  
[mads@aled.dk](mailto:mads@aled.dk)

Christian Rechnitzer Andersen  
Lighting consultant  
/Project manager  
Tlf: +45 23 67 35 75  
[ca@aled.dk](mailto:ca@aled.dk)

Denise Møller  
Warehouse

## Address

A LED A/S  
Hammeren 6  
DK-6800 Varde

Tlf: +45 71 99 53 54  
[info@aled.dk](mailto:info@aled.dk)

CVR nr. 33 37 95 52

[www.aled.dk](http://www.aled.dk)

CONTACT US HERE  
+45 71 99 53 54 / [info@aled.dk](mailto:info@aled.dk)



**A**  
**LED**



Follow us on social [LinkedIn](#) / [Facebook](#)